

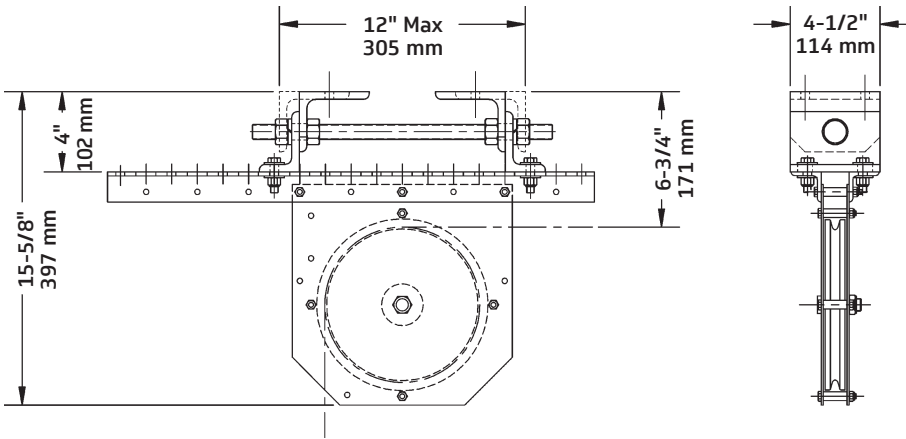
# Loft Block Pivot Brackets

- Pivot brackets are required for mounting on loft beams with more than 1-1/2° of slope
- Use for beams 4" – 8-1/2" (102 – 216 mm) wide for single line 55 series blocks
- Mounting clips are included, please specify beam flange thickness
- Pivot brackets must be welded to loft beams after final alignment; consult the factory for specific information
- Three-year warranty against defects in materials or workmanship is provided on all J.R. Clancy equipment, additional warranty information is available at jrclancy.com



**Underhung Loft Block  
with Pivot Bracket  
070-PIVOT**

## Dimensions



## Order Information

Number	Description	RWL	Weight
070-PIVOT	Pivot Bracket	-	12 lb (5.4 kg)

